


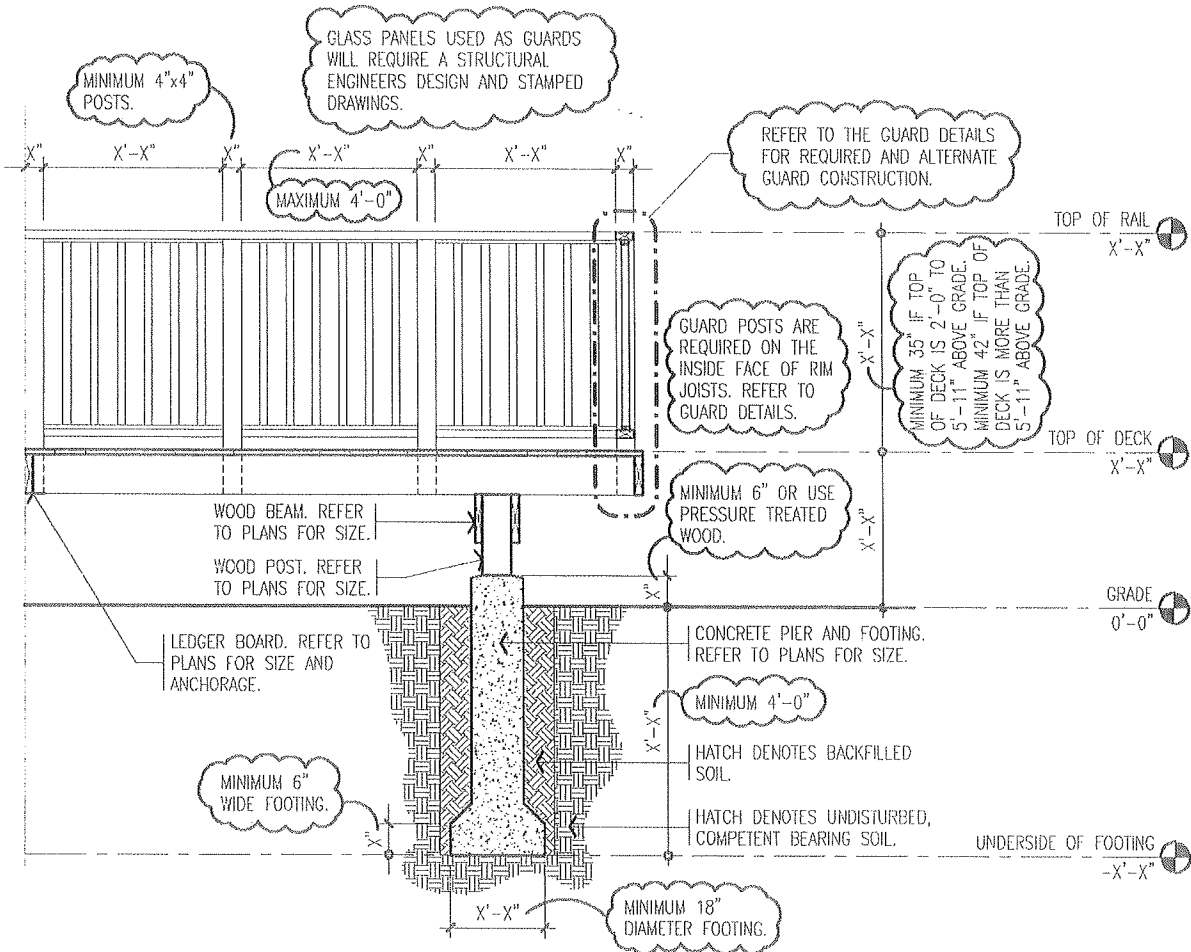
****REFER TO SPAN TABLES ON SHEET 3****

NOTES:

1. DRAWINGS ARE NOT TO BE USED FOR CONSTRUCTION.
2. DRAWINGS ARE FOR SAMPLE PURPOSES ONLY.
3. DO NOT SUBMIT THIS DRAWING AS PART OF YOUR DRAWING PACKAGE.
4. PLANS SUBMITTED FOR REVIEW ARE TO BE DRAWN AT A RECOGNIZED SCALE. FOR EXAMPLE 1/4"=1'-0" OR 1/2"=1'-0".

LEGEND:

-  DENOTES MINIMUM CODES.
- $X'-X"$, $X"$, $2"xX"$, XX DENOTES INFORMATION THAT IS REQUIRED IN YOUR DRAWING PACKAGE. THIS INFORMATION CONSISTS OF DIMENSIONS, SIZES FOR STRUCTURAL ELEMENTS AND OTHER MATERIALS.



****FOR LOTS CONTAINING ENGINEERED FILL REFER TO CONNECTION DETAILS HANDOUT****

NOTES:

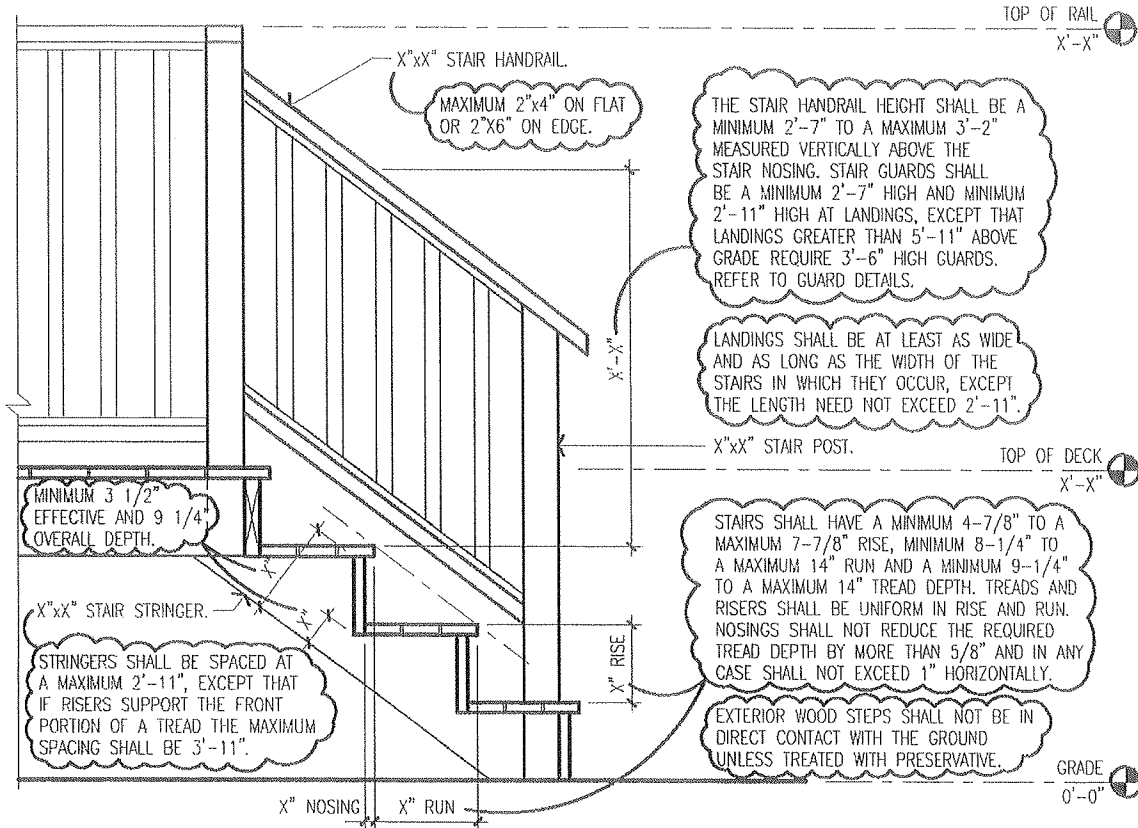
1. DRAWINGS ARE NOT TO BE USED FOR CONSTRUCTION.
2. DRAWINGS ARE FOR SAMPLE PURPOSES ONLY.
3. DO NOT SUBMIT THIS DRAWING AS PART OF YOUR DRAWING PACKAGE.
4. CROSS SECTIONS SUBMITTED FOR REVIEW ARE TO BE DRAWN AT A RECOGNIZED SCALE. FOR EXAMPLE 1/4"=1'-0" OR 1/2"=1'-0".

LEGEND:



DENOTES MINIMUM CODES.

DENOTES INFORMATION THAT IS REQUIRED IN YOUR DRAWING PACKAGE. THIS INFORMATION CONSISTS OF DIMENSIONS, SIZES FOR STRUCTURAL ELEMENTS AND OTHER MATERIALS.



DECK JOIST S-P-F #1 & 2	2"x6"			2"x8"			2"x10"		
	SPACING - ON CENTRE			SPACING - ON CENTRE			SPACING - ON CENTRE		
	12"	16"	24"	12"	16"	24"	12"	16"	24"
STRAPPING	9'-7"	8'-11"	8'-2"	11'-7"	11'-0"	10'-6"	13'-8"	13'-0"	12'-4"
BRIDGING	10'-4"	9'-4"	8'-2"	12'-5"	11'-9"	10'-9"	14'-6"	13'-8"	12'-10"
BRIDGING & STRAPPING	10'-4"	9'-4"	8'-2"	13'-1"	12'-2"	10'-9"	15'-1"	14'-1"	13'-2"

DECK BEAM S-P-F #1 & 2	2"x8"			2"x10"			2"x12"		
	NUMBER OF MEMBERS			NUMBER OF MEMBERS			NUMBER OF MEMBERS		
SUPPORTED JOIST LENGTH	2-PLY	3-PLY	4-PLY	2-PLY	3-PLY	4-PLY	2-PLY	3-PLY	4-PLY
8'-0"	8'-7"	10'-7"	12'-2"	10'-6"	12'-11"	14'-11"	12'-2"	15'-0"	17'-4"
10'-0"	7'-8"	9'-5"	10'-11"	9'-4"	11'-7"	13'-4"	10'-10"	13'-5"	15'-6"
12'-0"	7'-0"	8'-8"	10'-0"	8'-6"	10'-7"	12'-2"	9'-11"	12'-3"	14'-2"
14'-0"	6'-6"	8'-0"	9'-3"	7'-11"	9'-9"	11'-3"	9'-2"	11'-4"	13'-1"
16'-0"	6'-1"	7'-6"	8'-8"	7'-5"	9'-2"	10'-7"	8'-7"	10'-7"	12'-3"
18'-0"	5'-9"	7'-1"	8'-2"	6'-11"	8'-7"	9'-11"	8'-1"	10'-0"	11'-7"
20'-0"	5'-5"	6'-8"	7'-9"	6'-8"	8'-2"	9'-5"	7'-8"	9'-6"	10'-11"

NOTES:

1. DRAWINGS ARE NOT TO BE USED FOR CONSTRUCTION.
2. DRAWINGS ARE FOR SAMPLE PURPOSES ONLY.
3. DO NOT SUBMIT THIS DRAWING AS PART OF YOUR DRAWING PACKAGE.
4. DETAILS SUBMITTED FOR REVIEW ARE TO BE DRAWN AT A RECOGNIZED SCALE. FOR EXAMPLE 1/2"=1'-0" OR 1"=1'-0".

LEGEND:



DENOTES MINIMUM CODES.

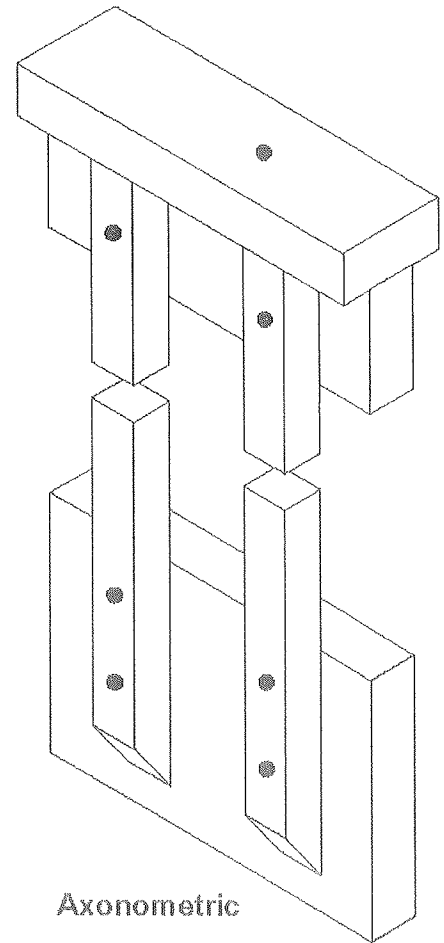
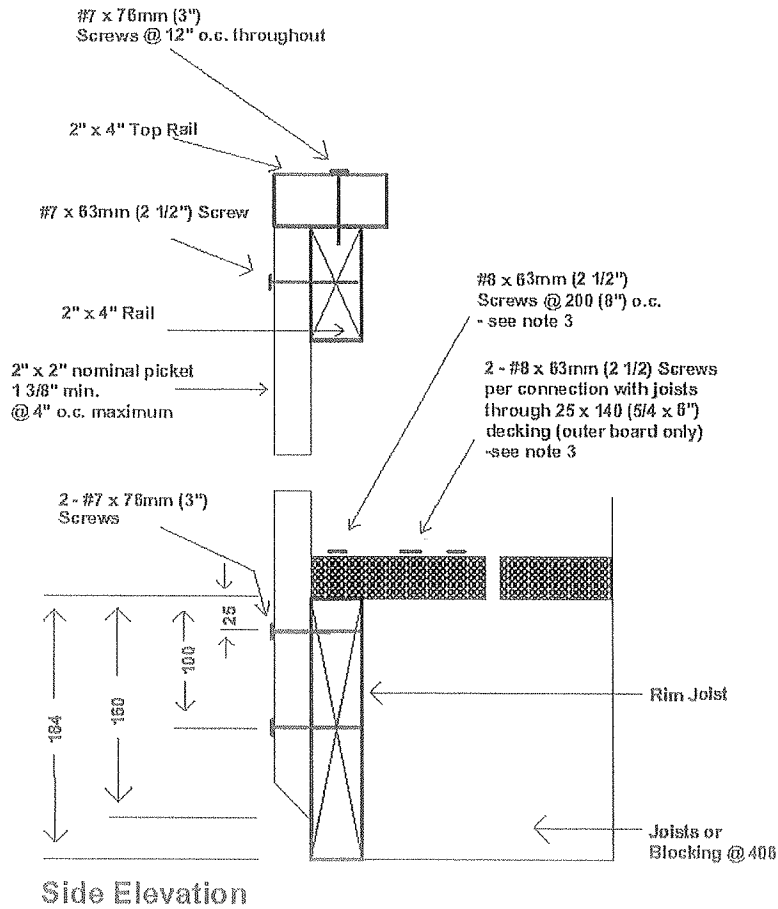
X'-X", X",
2"xx", XX

DENOTES INFORMATION THAT IS REQUIRED IN YOUR DRAWING PACKAGE. THIS INFORMATION CONSISTS OF DIMENSIONS, SIZES FOR STRUCTURAL ELEMENTS AND OTHER MATERIALS.

EXTERIOR GUARDS FOR HOUSING

SYSTEM #1

CANTILEVERED PICKET SCREWED TO RIM JOIST FROM SB-7 O.B.C.



* O.C.- on centre

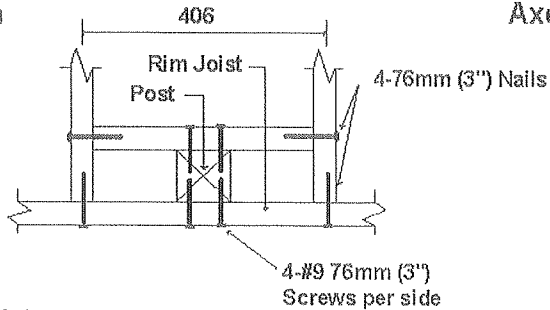
- 1) Provide a suitable post, return, or solid support at each end of the guard
- 2) Fasten rim joist to each floor joist with 3-82mm (3 1/4") nails
- 3) The outer deck board shall not be less than 140mm (6" nominal wide).
Where 38mm (2" nominal) thick board are used, the length of the
wood screws shall be not less than 76mm (3").

***Note: Consult Building Department
for any variance to design**

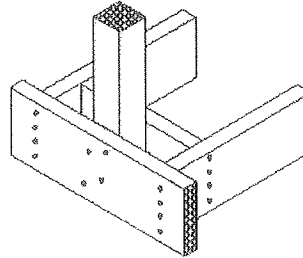
POST CONNECTION DETAILS MAXIMUM SPACING 4' BETWEEN POSTS FROM SB-7 O.B.C.

Post Screwed to Rim Joist

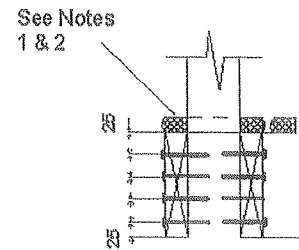
Plan



Axonometric



Side Elevation

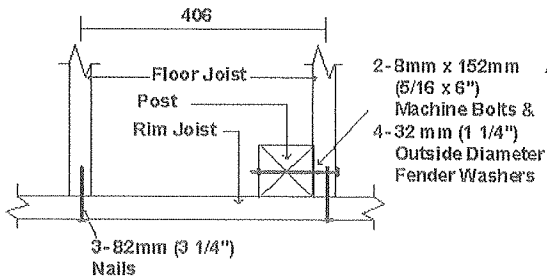


Notes:

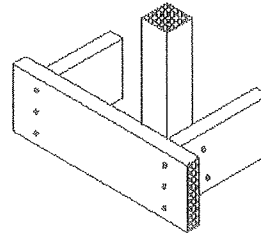
1. Fasten 25mm x 140mm (5/4 x 6" nominal) outer deck board to rim joist with 63mm (2 1/2") nails @
2. Fasten 25mm x 140mm (5/4 x 6" nominal) outer deck board to floor joist with 1-63mm (2 1/2") nail
3. The post may be positioned anywhere between the joists.

Post Bolted to Floor Joist- 8mm (5/16") Bolts

Plan



Axonometric

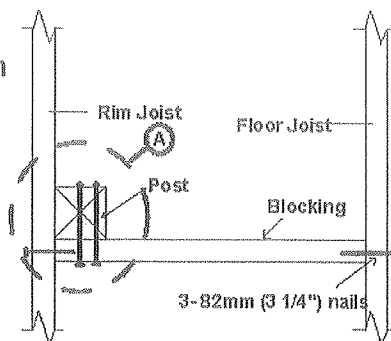


Notes:

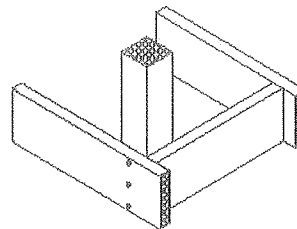
1. Where floor joists are spaced at 610mm (24") o.c., decking shall have a minimum thickness of 38mm (1 1/2") and shall be fastened to the floor with 2 -76mm (3") nails.

Post Fastened to Floor, Guard Parallel to Floor Joists

Plan



Axonometric

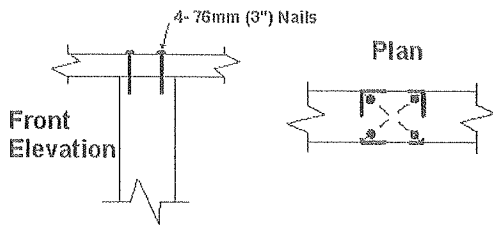


***Note: Consult Building Department for any variance to design**

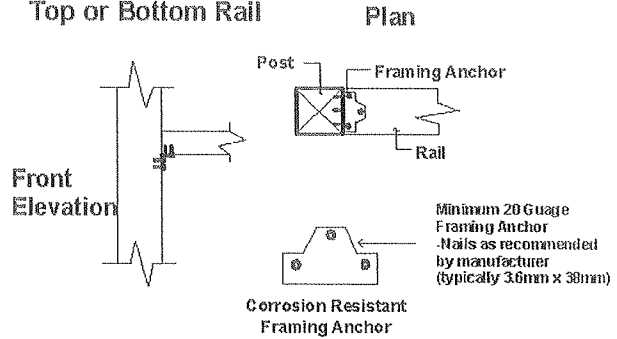
Notes: Use any connection detail above at Location "A"

EXTERIOR GUARDS FOR HOUSING
SYSTEM #2
TOP/BOTTOM RAIL DETAILS
FROM SB-7 O.B.C.

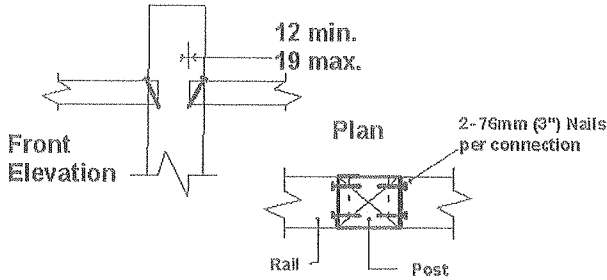
Option #1
Top Rail Only



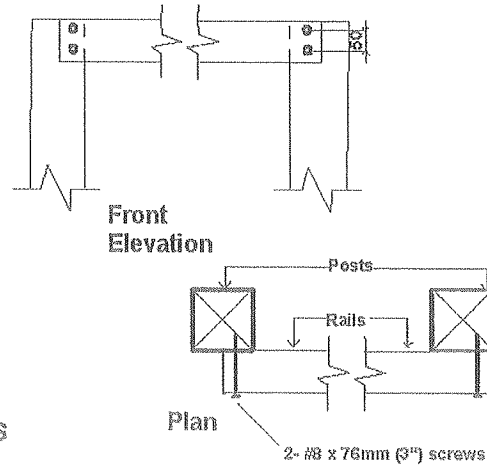
Option #2
Top or Bottom Rail



Option #3
Top or Bottom Rail



Option #4
Top or Bottom Rail



MINIMUM SIZE OF LOADBEARING ELEMENTS- ALL SYSTEMS

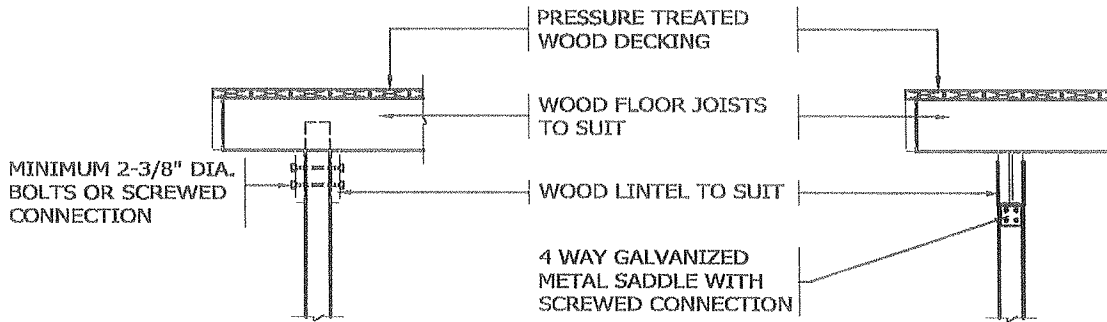
Guard Element	Minimum Size, mm (in.)
Post	89 x 89 (4" x 4" nominal)
Top Rail	39 x 89 (2" x 4" nominal)
Bottom Rail	39 x 89 (2" x 4" nominal)
Picket/ Baluster	32 x 32 (1 9/32" x 1 9/32" nominal)

*Picket Infill Between Posts
 - min. 1 3/8" x 1 3/8" @ 4" o.c. max.
 screwed at Top & Bottom

*Note: Consult Building Department
 for any variance to design

BEAM AND POST CONNECTIONS

TO ALLOW FOR FUTURE RAISING OF DECK IN
CASE OF SETTLEMENT

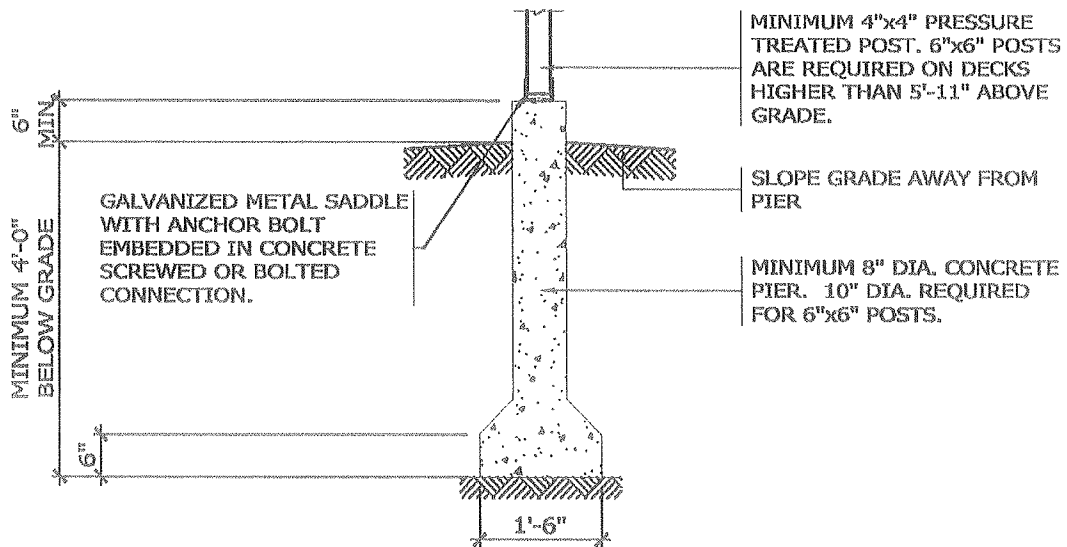


BEAM TO POST
CONNECTION
OPTION "A"

1/2" = 1'-0"

BEAM TO POST
CONNECTION
OPTION "B"

1/2" = 1'-0"



POST TO PIER
CONNECTION

1/2" = 1'-0"